

VALVE CONTROLLER

QUICK INSTALLATION GUIDE v1.0

TRADEMARKS

Zipato and the Zipato logo are registered Trademarks. All other product names mentioned herein may be trademarks or registered trademarks of their respective companies.

NOTICE

Although Zipato has attempted to ensure the accuracy of the content of this manual, it is possible that this document may contain technical inaccuracies, typographical, or other errors. Zipato assumes no liability for any error in this publication, and for damages, whether direct, indirect, incidental, and consequential or otherwise, that may result from such error, including, but not limited to loss of data or profits. Zipato provides this publication "as is" without warranty of any kind, either express or implied, including, but not limited to implied warranties of merchantability or fitness for a particular purpose. The published information in the manual is subject to change without notice. Zipato reserves the right to make changes in the product design, layout, and driver revisions without notification to its users. This version of the Installation guide supersedes all previous versions.

ELECTROMAGNETIC COMPATIBILITY

When operated according to manufacturer instructions, the product complies with all applicable CE harmonised standards from EMC Directive 2004/108/EC and Part 15 of the FCC Rules. The connections conducting HF signals must not be damaged or altered in any way by the user.

TAKE CARE OF YOUR SAFETY

Display extreme caution when using ladders or steps, please follow manufacturer's instructions. Be careful when using hand and power tools and follow the manufacturer's guidelines when using them. Take care that the correct tools are used. Wear goggles or protective clothing where required.

ELECTRICAL SAFETY

All installation and operation here should conform to your local electrical safety codes. The power shall conform to the requirement in the SELV (Safety Extra Low Voltage) and the Limited power source is rated 12V DC in the IEC60950-1. **Please note:** Do not connect different power supply to the device from what you received with your device, it may result in device damage! We assume no liability or responsibility for all the fires or electrical shock caused by improper handling or installation.

CAUTION

Do not apply power to the camera before completing installation. Please install the proper power cut-off device during the installation connection.

INTRODUCTION

Heavy-duty automated Valve Controller, that can fit variety of fluid management purposes. When used as a part of Zipato ecosystem, it can cut the water or gas supply when leak is detected. Additionally, using Zipato Rule Creator you can make it part of virtually limitless automation scenarios. Every Valve Controller can work as signal repeater, therefore all the devices form into cellular network and

generate multi-routes. This product can be included and operated in any Z-Wave network with other Z-Wave certified devices from other manufacturers and/or other applications. All non-battery operated nodes within the network will act as repeaters regardless of vendor to increase reliability of the network.

OVERVIEW



PACKAGE CONTENT

1PC	Valve Controller
1PC	Power adapter
1PC	Mounting bracket set
1PC	Quick installation guide

FEATURES

- Robust, sturdy built valve controller ideal for automated irrigation scenarios
- New Z-Wave 500 series chip
- Can be used for automatic control of gas and fluid valves
- Cutting the water supply automatically if a leak or flood is detected (if associated with a flood detector)
- Cutting off the gas supply if a leak is detected (if associated with a gas detector)
- Remote control with smartphone or PC
- Can be used with various Z-Wave networks/controllers
- Manual activation in case of power failure
- Installs on a standard 1/4 turn valve
- 1 Led indicator
- Aluminium alloy shell
- Easy installation

SPECIFICATION

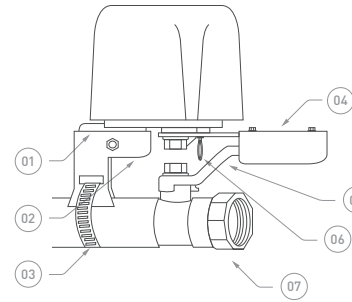
- Protocol: Z-Wave Plus
- Rated voltage: 12V/1A
- Wireless range: 40m
- Ambient temperature range: -10°C to +50°C
- Valve pressure: 1.6 Mpa
- Open time: 5 - 10 seconds
- Close time: 5 - 10 seconds
- Torque: 30 - 60 kg.cm
- Dimensions: Valve: 145x70x85 mm, Packaging: 208x148x92 mm

- Weight: Valve: 400g, Packaging: 746g

MODELS AND REGIONS

EUROPEAN UNION gr-105.eu / 868.40 MHz, 869.85 MHz

INSTALLATION



- 01 - Pipe clamp
- 02 - Mounting hole
- 03 - Clamp adjuster
- 04 - Rocker arm
- 05 - Handle
- 06 - Clutch
- 07 - Gas ball valve

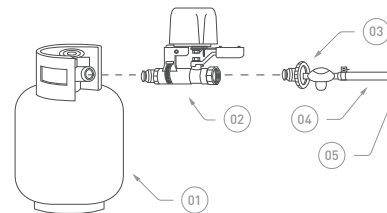
FOR GAS DUCTWORK USER

The main ball valve should be designed and installed to the place as much as convenient for manual opening & closing operation. The manipulator should keep 20mm away from the wall.

Place the two mounting brackets on each side of the mounting hole and tighten the screw with a wrench and screwdriver. Adjust to the pipe and thread the clamp adjuster through the holes on the mounting brackets and around the pipe. (Use the clutch to adjust the valve controller rocker arm to proper position) Adjust the rocker arm of the valve controller upon the water/gas valve rocker arm and tighten the two screws to make a tight connection. Tighten the clamp adjuster so that the whole valve controller assembly is stable and unable to tip on either side. Double check if anything isn't tightened properly!

FOR BOTTLED GAS USER

To properly connect the valve controller to the gas canister, the user first needs to remove the original pressure reducing valve. Afterwards install a manipulator with the special ball valve for the pipe, in-between the original valve and the pressure reducing valve. Tighten properly! Use the following picture as reference.



- 01 - Gas cylinder
- 02 - Controlling manipulator of special ball valve for gas cylinder
- 03 - Original pressure reducing valve of gas cylinder
- 04 - Original gas hose and hose clip
- 05 - Gas apparatus

In case of alarm failure, overhaul or power cut

- Pull out the tab of clutch and keep.
- Manually turn the handle to 90 degree, open and close the handle to the dead point until move smoothly.
- Release the tab, then gently move the handle to make the clutch back to its original position.

This product is also applicable to automatic control of other gas or fluid valves such as water.

Disclaimer: The above information is subject to change without prior notice. Please contact your local dealer or Manufacturer for any possible updates.

OPERATION

- Add/Delete device**
Add/Delete button: the red button on the upper-front side. Press 3 times to send NIF signal, make sure the Z-Wave controller in the range for inclusion or exclusion.
Notice: It is recommended to keep the device within 1 meter to the controller during Add/Delete operation. If the controller has not received the signal, please repeat again.
- Resetting the valve**
Press and hold the button for 10 seconds. The device will send the reset notification to the controller and erases the device memory.
- Association capabilities**
When the valve is set into association with other devices it can send Switch_Binary_reports. Group 1-Lifeline can be set up and support 5 nodes. (Group 2-5 is not support!)

Z-WAVE COMMAND CLASSES

```
COMMAND_CLASS_BASIC
COMMAND_CLASS_VERSION
COMMAND_CLASS_ZWAVEPLUS_INFO
COMMAND_CLASS_MANUFACTURE_SPECIFIC
COMMAND_CLASS_DEVICE_RESET_LOCALLY
COMMAND_CLASS_POWERLEVEL
COMMAND_CLASS_ASSOCIATION
COMMAND_CLASS_ASSOCIATION_GROUPINFO
COMMAND_CLASS_SWITCH_BINARY
COMMAND_CLASS_SWITCH_ALL
```

TROUBLESHOOTING

Having trouble installing your new product?

Zipato's website contains the latest user documentation and software updates for Zipato products and services: www.zipato.com

You can also find answers in the Zipato Community at: community.zipato.com

Zipato Support: support@zipato.com

LIMITED PRODUCT WARRANTY

GENERAL TERMS

Nothing in this Limited Product Warranty affects your statutory rights as a consumer.

The Limited Product Warranty set forth below is given by Tri plus grupa d.o.o. (Europe) (herein referred to as "ZIPATO"). This Limited Product Warranty is only effective upon presentation of the proof of purchase. Upon further request by ZIPATO, this warranty card has to be presented, too.

EXCEPT AS EXPRESSLY SET FORTH IN THIS LIMITED WARRANTY, ZIPATO MAKES NO OTHER WARRANTIES, EXPRESS OR IMPLIED, INCLUDING ANY IMPLIED WARRANTIES OF MERCHANTABILITY AND FITNESS FOR A PARTICULAR PURPOSE. ZIPATO EXPRESSLY DISCLAIMS ALL WARRANTIES NOT STATED IN THIS LIMITED WARRANTY. ANY IMPLIED WARRANTIES THAT MAY BE IMPOSED BY LAW ARE LIMITED IN DURATION TO THE LIMITED WARRANTY PERIOD. TO THE EXTENT ALLOWED BY LOCAL LAW, THE REMEDIES IN THIS WARRANTY STATEMENT ARE CUSTOMER'S SOLE AND EXCLUSIVE REMEDIES AGAINST ZIPATO. THEY DO NOT, HOWEVER, AFFECT OR RESTRICT THE RIGHTS YOU HAVE AGAINST THE BUSINESS YOU BOUGHT A ZIPATO PRODUCT FROM. IN NO EVENT WILL ZIPATO BE LIABLE FOR LOSS OF DATA OR FOR INDIRECT, SPECIAL, INCIDENTAL, CONSEQUENTIAL (INCLUDING LOST PROFIT OR DATA), OR OTHER DAMAGE, WHETHER BASED IN CONTRACT, TORT, OR OTHERWISE. HOWEVER, NOTHING IN THIS AGREEMENT LIMITS ZIPATO'S LIABILITY TO YOU (I) IN THE EVENT OF DEATH OR PERSONAL INJURY TO THE EXTENT RESULTING FROM ZIPATO'S NEGLIGENCE, OR (II) TO THE EXTENT RESULTING FROM ANY FRAUDULENT MISREPRESENTATION ON THE PART OF ZIPATO, OR (III) TO THE EXTENT ARISING UNDER PART 1 OF THE CONSUMER PROTECTION ACT 1987 OF THE UNITED KINGDOM. SOME STATES OR COUNTRIES DO NOT ALLOW: (1) A DISCLAIMER OF IMPLIED WARRANTIES; (2) A LIMITATION ON HOW LONG AN IMPLIED WARRANTY LASTS OR THE EXCLUSION; OR (3) LIMITATION OF INCIDENTAL OR CONSEQUENTIAL DAMAGES FOR CONSUMER PRODUCTS. IN SUCH STATES OR COUNTRIES, SOME EXCLUSIONS OR LIMITATIONS OF THIS LIMITED WARRANTY MAY NOT APPLY TO YOU. THIS LIMITED WARRANTY GIVES YOU SPECIFIC LEGAL RIGHTS. YOU MAY ALSO HAVE OTHER RIGHTS THAT MAY VARY FROM STATE TO STATE OR FROM COUNTRY TO COUNTRY. YOU ARE ADVISED TO CONSULT APPLICABLE STATE OR COUNTRY LAWS FOR A FULL DETERMINATION OF YOUR RIGHTS. This Limited Product Warranty applies to ZIPATO branded hardware products (collectively referred to as "ZIPATO Hardware Products") sold by ZIPATO (Europe), its European subsidiaries, affiliates, authorized resellers, or country distributors (collectively referred to as "ZIPATO Resellers") with this Limited Product Warranty.

The term "ZIPATO Hardware Product" is limited to the hardware components and all its internal components including firmware. The term "ZIPATO Hardware Product" DOES NOT include any software applications or programs.

📍 GEOGRAPHICAL SCOPE OF THE LIMITED PRODUCT WARRANTY

This Limited Product Warranty is applicable to Hardware Products sold by Zipato Resellers in all countries listed at the beginning of this document under the heading "Countries in which this ZIPATO Limited Product Warranty applies". The Limited Product Warranty will be honored in any country where ZIPATO or its authorized service providers offer warranty service subject to the terms and conditions set forth in this Limited Product Warranty. However, warranty service availability and response times may vary from country to country and may also be subject to registration requirements.

📄 LIMITATION OF PRODUCT WARRANTY

ZIPATO warrants that the products described below under normal use are free from material defects in materials and workmanship during the Limited Product Warranty Period set forth below ("Limited Product Warranty Period"), if the product is used and serviced in accordance with the user manual and other documentation provided to the purchaser at the time of purchase (or as amended from time to time).

ZIPATO does not warrant that the products will operate uninterrupted or error-free or that all deficiencies, errors, defects or non-conformities will be corrected. This warranty shall not apply to problems resulting from: (a)

unauthorized alterations or attachments; (b) negligence, abuse or misuse, including failure to operate the product in accordance with specifications or interface requirements; (c) improper handling; (d) failure of goods or services not obtained from ZIPATO or not subject to a then-effective ZIPATO warranty or maintenance agreement; (e) improper use or storage; or (f) fire, water, acts of God or other catastrophic events. This warranty shall also not apply to any particular product if any ZIPATO serial number has been removed or defaced in any way. ZIPATO IS NOT RESPONSIBLE FOR DAMAGE THAT OCCURS AS A RESULT OF YOUR FAILURE TO FOLLOW THE INSTRUCTIONS FOR THE ZIPATO HARDWARE PRODUCT.

🕒 LIMITED PRODUCT WARRANTY PERIOD

The Limited Product Warranty Period starts on the date of purchase from ZIPATO. Your dated sales or delivery receipt, showing the date of purchase of the product, is your proof of the purchase date. You may be required to provide proof of purchase as a condition of receiving warranty service. You are entitled to warranty service according to the terms and conditions of this document if a repair to your ZIPATO branded hardware is required within the Limited Product Warranty Period.

[Other than in respect of products for domestic use (in particular those listed in the first and last boxes in the table below), this Limited Product Warranty extends only to the original end user purchaser of this ZIPATO Hardware Product and is not transferable to anyone who obtains ownership of the ZIPATO Hardware Product from the original end-user purchaser.

📅 PRODUCT WARRANTY PERIOD TABLE

PRODUCT TYPE	Valve Controller
PRODUCT WARRANTY PERIOD	One (1) year

📌 IMPORTANT

The content of "Product Type" listed above is subject to change; please refer to the www.zipato.com for latest update.

🔧 PERFORMANCE OF THE LIMITED PRODUCT WARRANTY

If a product defect occurs, ZIPATO's sole obligation shall be to repair or replace any defective Zipato Hardware Product free of charge provided it is returned to an Authorized ZIPATO Service Centre during the Limited Warranty Period. Such repair or replacement will be rendered by ZIPATO at an Authorized ZIPATO Service Centre. All component parts or hardware products that are replaced under this Limited Product Warranty become the property of ZIPATO. The replacement part or product takes on the remaining Limited Warranty Period of the replaced part or product. The replacement product need not be new or of an identical make, model or part; ZIPATO may in its discretion replace the defective product (or any part thereof) with any reconditioned equivalent (or superior) product in all material respects to the defective product.

📄 WARRANTOR

Tri plus grupa d.o.o.
Banjavciceva 11
10 000 Zagreb
CROATIA

TEL +385 (0)1 4004 404
FAX +385 (0)1 4004 405

DECLARATION OF CONFORMITY



The manufacturer Tri plus grupa d.o.o declares under our sole responsibility that the product:

Marketing model: Valve Controller
Regulatory model: gr-105
Trade/Brand name: Zipato

is in conformity with the Low Voltage Directive 2006/95/EC, EMC Directive 2004/108/EC and R&TTE Directive 1995/5/EC and carries the CE marking accordingly.

The following harmonized standards were applied:

R&TTE (1995/5/EC)
EN 300 220-1 V2.4.1
EN 300 220-2 V2.4.1

EMC (2004/108/EC)
EN 301 489-1 V1.9.2
EN 301 489-3 V1.6.1

LVD (2006/95/EC)

EN 60950-1:2006+A11:2009+A1:2010+A12:2011
EN 60950-1:2006+A11:2009+A1:2010+A12:2011+A2:2013
EN 62479:2010

Changes or modifications not expressly approved by Tri plus grupa d.o.o. for compliance could void the user's authority to operate the equipment.



THIS DEVICE COMPLIES WITH PART 15 OF THE FCC RULES.

Operation is subject to the following two conditions:

- 1 | this device may not cause harmful interference, and
- 2 | this device must accept any interference received, including interference that may cause undesired operation.

NOTE: Changes or modifications not expressly approved by Zipato for compliance could void the user's authority to operate the equipment. This equipment has been tested and found to comply with the limits for a Class B digital device, pursuant to Part 15 of the FCC Rules. These limits are designed to provide reasonable protection against harmful interference in a residential installation. This equipment generates, uses and can radiate radio frequency energy and, if not installed and used in accordance with the instructions, may cause harmful interference to radio communications.

However, there is no guarantee that interference will not occur in a particular installation. If this equipment does cause harmful interference to radio or television reception, which can be determined by turning the equipment off and on, the user is encouraged to try to correct the interference by one or more of the following measures:

- Reorient or relocate the receiving antenna.
- Increase the separation between the equipment and receiver.
- Connect the equipment into an outlet on a circuit different from that to which the receiver is connected.
- Consult the dealer or an experienced radio/TV technician for help.

♻️ DISPOSING AND RECYCLING YOUR PRODUCT

When it reaches end of life, dispose of the product according to your local environmental laws, guidelines and regulations.



This symbol on the product or packaging means that according to local laws and regulations needs to be disposed of separately from household waste. Once this product has reached the end of its life, please take it to a collection point (recycle facilities) designated by your local authorities, some will accept your product for free or simply drop it off at your Zipato re-seller store. By recycling the product and its packaging in this manner you help to conserve the environment and protect human health. At Zipato, we understand and are committed to reducing any impact our operations and products may have on the environment. To minimize this impact Zipato designs and builds its products to be as environmentally friendly as possible, by using recyclable, low toxic materials in both products and packaging.